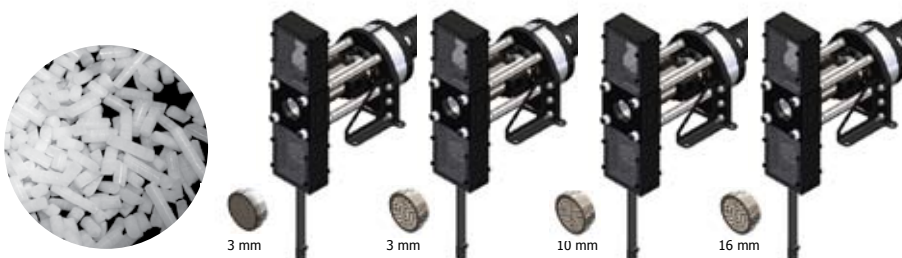


# PR1500H

## Production of High-Density Dry Ice Pellets



The IceMaker PR1500H pelletizer is the most compact, high-capacity pelletizer available for the production of high-density dry ice pellets. It can produce different sizes of pellets at the same time. Or double up your dry ice pellets production.



### Technical Data

#### Dimensions mm/inch:

Length: 1500 / 59  
Width: 2000 / 79  
Height: 1800 / 71  
Height: 1845 / 73.6 (incl. ext. legs)

#### Weight:

kg: 3400 / lbs: 7495

#### Rated Output:

kg/h: up to 1500  
lbs/h: up to 3086  
of high-quality dry ice pellets, depending on the extruder plate applied

#### Pellet Size Diameter:

mm: 3 - 10 or 16  
inch: 0.11 - 0.39 or 0.62

#### Inlet Liquid CO<sub>2</sub> Pressure:

bar: 16 - 22  
psi: 232 - 319

#### Max. Back Pressure on Revert Gas:

Bar: 0 - 1  
psi: 0 - 14.5

#### Power Supply:

3 x 400 V AC + PE, 50Hz,  
Imax. 64 A

#### Rated Power:

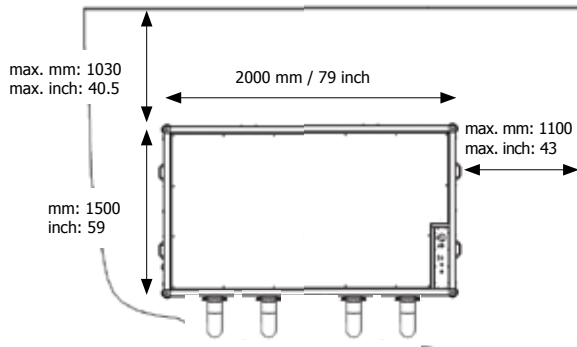
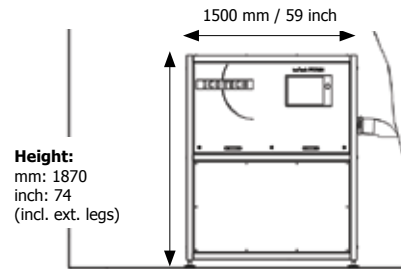
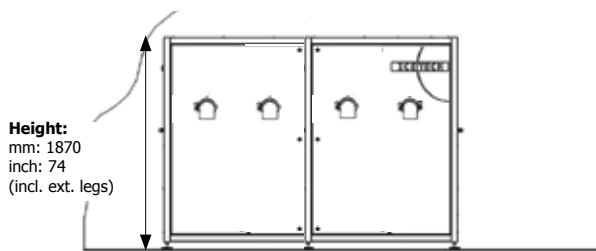
kW: 22  
Hp: 30

#### Noise Level Below 75 db(A)

ICETECH

# PR1500H

## Production of High-Density Dry Ice Pellets



### Floor Characteristics and Minimum Clear Distances

#### IceMaker PR1500H

- o The IceMaker must be placed on a horizontal concrete floor with an adequate load-carrying capacity, free from crack formation and suitable for bolting the IceMaker to it.
- o The minimum clear distances must be observed to provide sufficient space for opening the cabinet doors and servicing the IceMaker.

### Installation of the IceMaker

The installation of the IceMaker must be carried out by one of IceTech's service technicians, or by a technician approved by IceTech.

If the IceMaker PR1500H is connected to your LAN or Internet, the entire display can be transferred to the computer desktop of your choice – anywhere in the world.

This allows online support by using diagnostic software on the industrial PC.



Contact IceTech to obtain expert advice on the right pelletizer solution for you.

Head office Europe: +45 7656 1500 • Head office United States: +1 513-942-4144 • Logistics Center Germany: 08004 238 324  
Head Office Asia: +65 6686-2159 • Or visit IceTech online at [www.icetechworld.com](http://www.icetechworld.com) to learn more.