

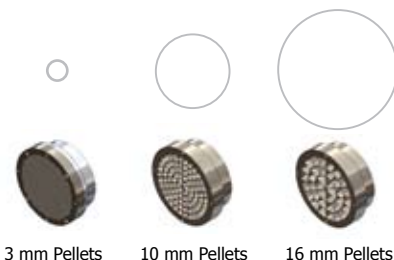
PR350H

Production of High-Density Dry Ice Pellets



16 mm Pellets

The IceMaker PR350H can produce two sizes of pellets without changing the extruder plates.



3 mm Pellets

10 mm Pellets

16 mm Pellets



Technical Data

Dimensions mm/inch:

Length: 1500 / 59

Width: 1000 / 39

Height: 1800 / 71

Height: 1845 / 73.6 (incl. ext. legs)

Weight:

kg: 1000 / lbs: 2204

Rated Output:

kg/h: up to 350

lbs/h: up to 772

of high-quality dry ice pellets, depending on the extruder plate applied

Pellet Size Diameter:

mm: 3 - 10 or 16

inch: 0.11 - 0.39 or 0.62

Inlet Liquid CO₂ Pressure:

bar: 16 - 22

psi: 232 - 319

Max. Back Pressure on Revert Gas:

Bar: 0 - 1

psi: 0 - 14.5

Power Supply:

3 x 400 V AC + PE, 50Hz,

Imax. 32 A

Rated Power:

kW: 11

Hp: 15

Noise Level Below 75 db(A)

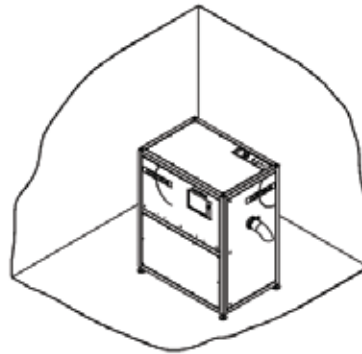
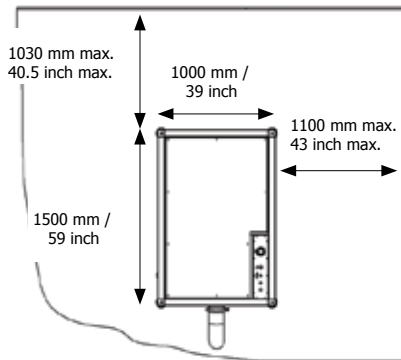
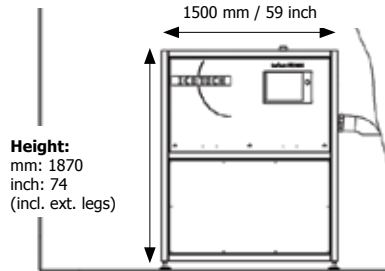
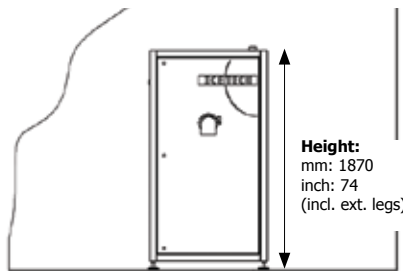
ICETECH

Contact IceTech to obtain expert advice on the right pelletizer solution for you.

Head office Europe: +45 7656 1500 • Head office United States: +1 513-942-4144 • Logistics Center Germany: 08004 238 324
Head Office Asia: +65 6686-2159 • Or visit IceTech online at www.icetechworld.com to learn more.

PR350H

Production of High-Density Dry Ice Pellets



Floor Characteristics and Minimum Clear Distances

IceMaker PR350H

- o The IceMaker must be placed on a horizontal concrete floor with an adequate load-carrying capacity, free from crack formation and suitable for bolting the IceMaker to it.
- o The minimum clear distances must be observed to provide sufficient space for opening the cabinet doors and servicing the IceMaker.

Installation of the IceMaker

The installation of the IceMaker must be carried out by one of IceTech's service technicians, or by a technician approved by IceTech.

If the IceMaker PR350H is connected to your LAN or Internet, the entire display can be transferred to the computer desktop of your choice – anywhere in the world.

This allows online support by using diagnostic software on the industrial PC.

