

# PR750H

## Production of High-Density Dry Ice Pellets



### Technical Data

#### Dimensions mm/inch:

Length: 1500 / 59  
Width: 1500 / 59  
Height: 1800 / 71  
Height: 1845 / 73.6 (incl. ext. legs)

#### Weight:

kg: 1700 / lbs: 3747

#### Rated Output:

kg/h: up to 750  
lbs/h: up to 1653  
of high-quality dry ice pellets, depending on the extruder plate applied

#### Pellet Size Diameter:

mm: 3 - 10 or 16  
inch: 0.11 - 0.39 or 0.62

#### Inlet Liquid CO<sub>2</sub> Pressure:

bar: 16 - 22  
psi: 232 - 319

#### Max. Back Pressure on Revert Gas:

Bar: 0 - 1  
psi: 0 - 14.5

#### Power Supply:

3 x 400 V AC + PE, 50Hz,  
Imax. 32 A

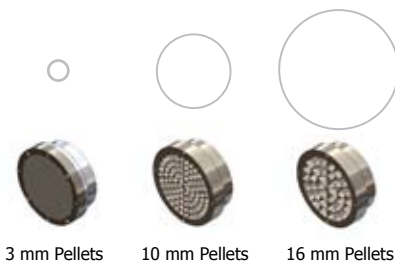
#### Rated Power:

kW: 11  
Hp: 15

#### Noise Level Below 75 db(A)



The IceMaker PR750H can produce two sizes of pellets at the same time.



3 mm Pellets

10 mm Pellets

16 mm Pellets

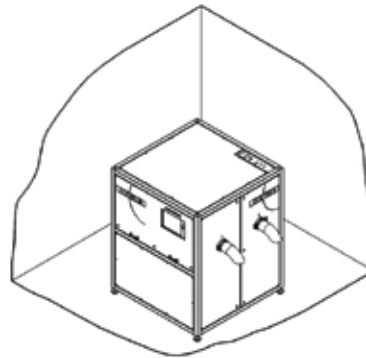
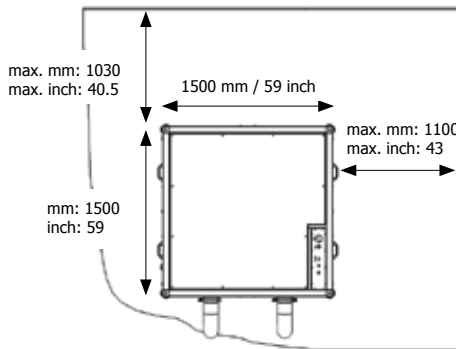
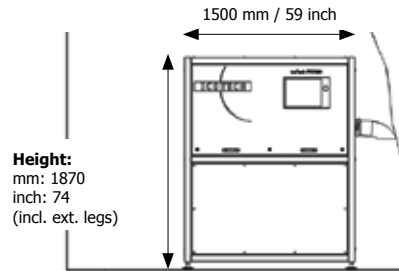
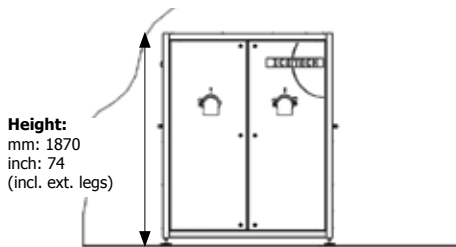
**ICETECH**

Contact IceTech to obtain expert advice on the right pelletizer solution for you.

Head office Europe: +45 7656 1500 • Head office United States: +1 513-942-4144 • Logistics Center Germany: 08004 238 324  
Head Office Asia: +65 6686-2159 • Or visit IceTech online at [www.icetechworld.com](http://www.icetechworld.com) to learn more.

# PR750H

## Production of High-Density Dry Ice Pellets



### Floor Characteristics and Minimum Clear Distances

#### IceMaker PR750H

- o The IceMaker must be placed on a horizontal concrete floor with an adequate load-carrying capacity, free from crack formation and suitable for bolting the IceMaker to it.
- o The minimum clear distances must be observed to provide sufficient space for opening the cabinet doors and servicing the IceMaker.

### Installation of the IceMaker

The installation of the IceMaker must be carried out by one of IceTech's service technicians, or by a technician approved by IceTech.

If the IceMaker PR750H is connected to your LAN or Internet, the entire display can be transferred to the computer desktop of your choice – anywhere in the world.

This allows online support by using diagnostic software on the industrial PC.

